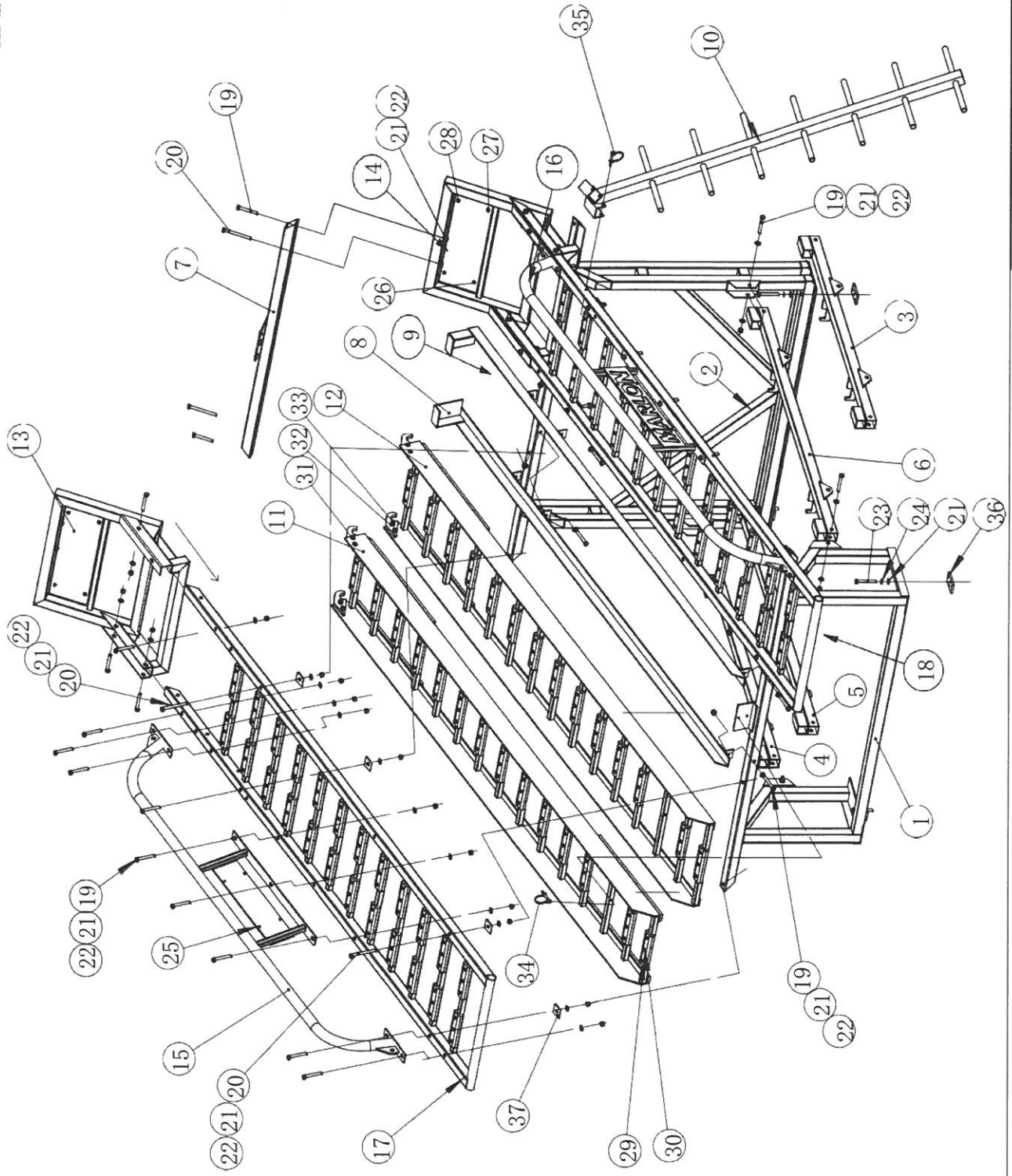


XPLORE II SXS DECK



ITEM#	PART DESCRIPTION	PART NUMR	QTY
1	SXS REAR LEG	300-0041	1
2	SXS FRONT LEG	300-0042	1
3	SXS RH SHORT CROSSMEMBER	300-0043	1
4	SXS LH SHORT CROSSMEMBER	300-0044	1
5	SXS LH LONG CROSSMEMBER	300-0045	1
6	SXS RH LONG CROSSMEMBER	300-0046	1
7	SXS FRONT CROSS BRACE	300-0047	1
8	SXS LH RAMP STORAGE BRACKET	300-0048	1
9	SXS RH RAMP STORAGE BRACKET	300-0049	1
10	SXS BOARDING STEPS	320-0043	1
11	SXS NARROW RAMP	350-0031	1
12	SXS WIDE RAMP	350-0034	1
13	SXS LH TIRE CRADLE	310-0005	1
14	SXS RH TIRE CRADLE	310-0006	1
15	SXS LH SIDE RAIL	310-0007	1
16	SXS RH SIDE RAIL	310-0008	1
17	SXS LH LOADING PLATFORM ASSY C/W RAMP RINGS	310-0062	1
18	SXS RH LOADING PLATFORM ASSY C/W RAMP RINGS	310-0063	1
19	M12X85 HEX BOLT	210-0026	24
20	M12X130 HEX BOLT	210-0052	8
21	M12 WASHER	210-0004	68
22	M12 NYLOCK NUT	210-0015	32
23	M12X95 HEX BOLT	210-0053	4
24	M12 LOCKING WASHER	210-0005	4
25	M4.8X13 RIVET	210-0054	8
26	M6X16 PHILLIPS BOLT	210-0055	8
27	M6 WASHER	210-0056	8
28	M6 NYLOCK NUT	210-0057	8
29	RAMP RUNG PROTECTORS	320-0033	76
30	M5.5X19 RUNG SCREW	210-0046	228
31	M10X35 PHILLIPS BOLT	210-0058	8
32	M10 WASHER	210-0002	16
33	M10 NYLOCK NUT	210-0003	8
34	D PIN 8X45MM	207-0007	1
35	D PIN 8X75MM	207-0003	1
36	DECK MOUNTING BRACKING PLATE	100-0023	4
37	SXS WEDGE SHIM	229-0057	0

**MARLON.**

XPLORE II SXS DECK  
270-0170  
REVISED  
2019 -  
DATE  
2020-01-27

NOTED REVISIONS:  
2019+ MODELS TIRE CRADLES AND SIDE RAILS ARE BOLTED ON. EARLIER MODELS OF SXS DECK HAVE THESE WELDED ON.  
RAMP AND RAMP STORAGE BRACKETS CHANGED. 2019 + MODELS HAVE 1 - 17" WIDE, 1- 16" WIDE AND STACK TOGETHER ON TOP OF EACH OTHER IN STORAGE BRACKETS. OLDER MODELS BOTH RAMPS ARE 16" WIDE AND SIT SIDE BY SIDE.